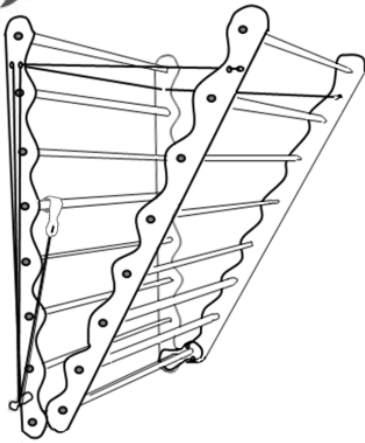


WARNING: To minimize the risk of injury or damage, read both sides of these instructions before assembling, installing and using. Always keep instructions for future reference by other users.

julu® Laundry Ladder



In the box

- 1 x Laundry Ladder
- 2 x Julu Wall Brackets
- 4 x Screws + Caps
- 4 x Raw Plugs
- 1 x Length of Cord
- 1 x Spindle + Screw (which is attached to the inside of the Laundry Ladder Frame for delivery only)
- 1 x Rope Hook
- 1 x Instruction Leaflet

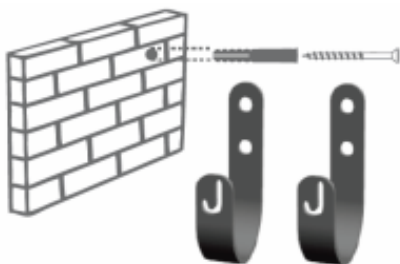
Fixings are **ONLY** included for solid walls. All other types i.e. Cavity, Thermolite Block etc. will require additional fixings which can be bought from good hardware stores.

Fixing to a Solid Wall (fixings included)

Decide on the height. Julu recommends positioning the Laundry Ladder base, at waist height to aid functionality.

Use \varnothing 7 mm drill
Brackets to be positioned:

- 52cm apart *Bunty* (600)
- 72cm apart *Doris* (800)



Safety Instructions

Read before Assembling, Installing and Using.

For safe use:

- Laundry Ladder rope must **ALWAYS** be secured to the ladder using the rope hook.
- Keep fingers away from pinch points when opening or closing Laundry Ladder.
- Do not let children play on Laundry Ladder.
- Do not place objects that exceed 44 Lbs (20Kg) on Laundry Ladder
- Regularly check that all screws are securely tightened and spindle is securely attached and replace if any signs of wear and tear.
- Check cord is securely attached and replace cord if any signs of wear and tear.

To attach to the wall:

- Do not place it in a location that will get in people's way when it is open.
- The Julu Laundry Ladder brackets must be securely fixed to a solid clean wall using the enclosed screws.
- For all other types of walls, Julu recommends you seek professional advice from your local builder or decorator. Some walls use different materials and you may need to use other attachment methods.
- Wall coverings such as wall paper may be adversely affected through product use.

Don't leave Laundry Ladder outside when not in use as the unit will naturally deteriorate in outdoor weather conditions.

No two pieces of wood are exactly the same and some movement should be allowed. Colour, grain and texture can vary considerably even in the same piece. The random occurrence of characteristics is an inherent part of the beauty of any natural wooden product; as are variations in colour and texture.

Whilst Julu make every effort to give high customer satisfaction, if there is an issue with the product or service, please contact us so that we can try and rectify any problems



- This is not a toy. Not suitable for children.



- Always secure with rope hook.



- Be careful not to pinch fingers.

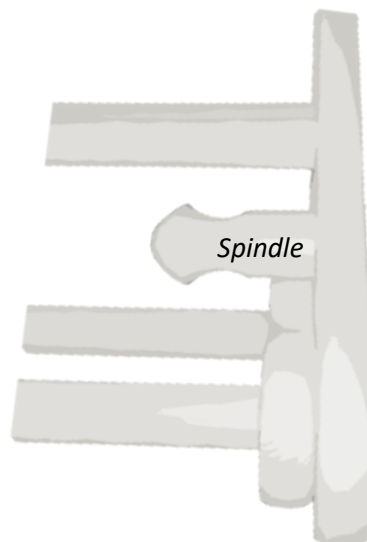


- Always read the instructions.



- Do not exceed weights of 20kg/44lb

Spindle Attachment



The **spindle** is attached to the inside of Laundry Ladder for delivery only. Unscrew and re-position on the outside of unit, at the bottom of the back frame either right or left depending on the preferred side you are going to operate it from.

The back frame is lower than the front frame.

See reverse side for stringing and other instructions and keep all instructions for future use/reference.

A video for stringing: 'How to string your Laundry Ladder' can be found on the website at:

Warning

Read and follow these instructions. Failure to properly assemble, install and use the Laundry Ladder could result in unforeseen risk or injury.

Use this illustration to help Threading the Laundry Ladder right or left-handed

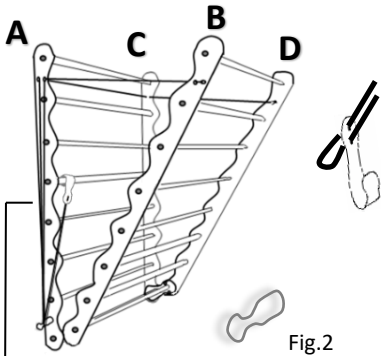


Fig.2

Spindle (Fig 2) is attached to the inside of unit for protection during delivery only.

Back Frame

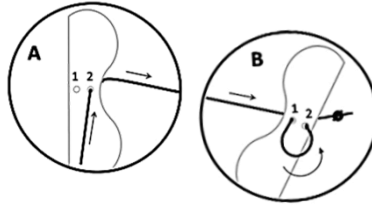
Assembly – Stringing/Threading Instructions

- The Back Frame which hooks onto the wall is lower than the front.
- Thread the cord through both holes of the small hook provided as shown in Fig.1
- On the side which you intend to operate the Laundry Ladder, attach the spindle (fig.2) to the outside (**this is found inside the Laundry Ladder for delivery ONLY, to protect it**) using the hole at the bottom of the back frame.
- With spindle now attached, follow the instructions for Right or Left operation.

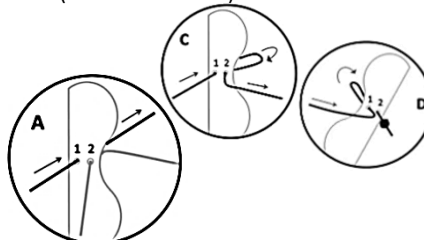
For Video Instructions 'How to string your Laundry Ladder' go to: www.juluhome.co.uk plus the latest printable instructions!

For LEFT side operation (see Assembly first)

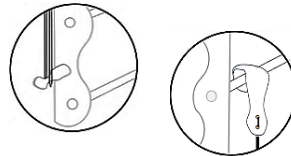
1. Thread one end of the cord through A2 (from outside to inside)



2. Take the same thread to B1 (inside to outside) and thread back through B2, knot and secure.
3. Thread the other end of cord through A1 (outside to inside).



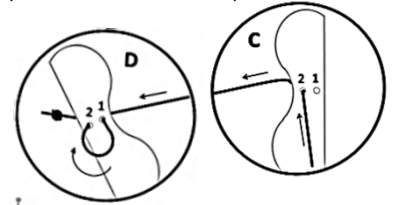
4. Thread through C1 (inside to outside) and back through C2.
5. Thread cord through D1 (inside to outside) and back through D2, knot and secure the end.
6. Now pull all cord tight through arm A and adjust it so that the hook is at the furthest end of the cord and taut.



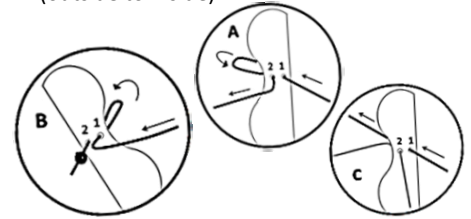
7. Secure unit by guiding cord under spindle and place hook over the highest rod the cord will allow. Use this position when not in use.

For RIGHT side operation (see Assembly first)

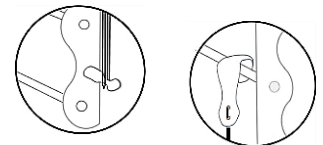
1. Thread one end of the cord through C2 (From outside to inside)



2. Take the same thread to D1 (inside to outside) and thread back through D2, knot and secure.
3. Thread the other end of cord through C1 (outside to inside).



4. Thread through A1 (inside to outside) and back through A2.
5. Thread cord through B1 (inside to outside) and back through B2, knot and secure the end.
6. Now pull all cord tight through arm C and adjust it so that the hook is at the furthest end of the cord and taut.



7. Secure unit by guiding cord under spindle and place hook over the highest rod the cord will allow. Use this position when not in use.



© This product is protected by EU Design Registration Number 002220046-0001

The Trade Mark JULU is protected in other countries as well as European Union under trade mark number 012618674.

This product has been tested and passed testing standards: BS EN 16121: 2013 ANSI BIFMA X5.9: 2012

Love your Laundry!

Julu Ltd, Wharton Farm Cottage, Ross-on-Wye, Herefordshire HR9 5SX

Email: info@juluhome.co.uk

Tel: 033 022 32 855

Please leave a review on facebook or google, or email us with a testimonial & picture!